

12027

97-03 CHEVY MALIBU/ 04-05 MALIBU CLASSIC / 97-00 OLDS CUTLASS

11/19/2020

GROSS LOAD CAPACITY WHEN USED AS A WEIGHT CARRYING HITCH: 3,500 LBS. TRAILER WEIGHT & 350 LBS. TONGUE WEIGHT.

DO NOT EXCEED VEHICLE MANUFACTURER'S RECOMMENDED TOWING CAPACITY.

WARNING: ALL NON-TRAILER LOADS APPLIED TO THIS PRODUCT MUST BE SUPPORTED BY AUXILIARY STABILIZING STRAPS.

** FAILURE TO PROPERLY SUPPORT NON-TRAILER LOADS WILL VOID PRODUCT WARRANTY**

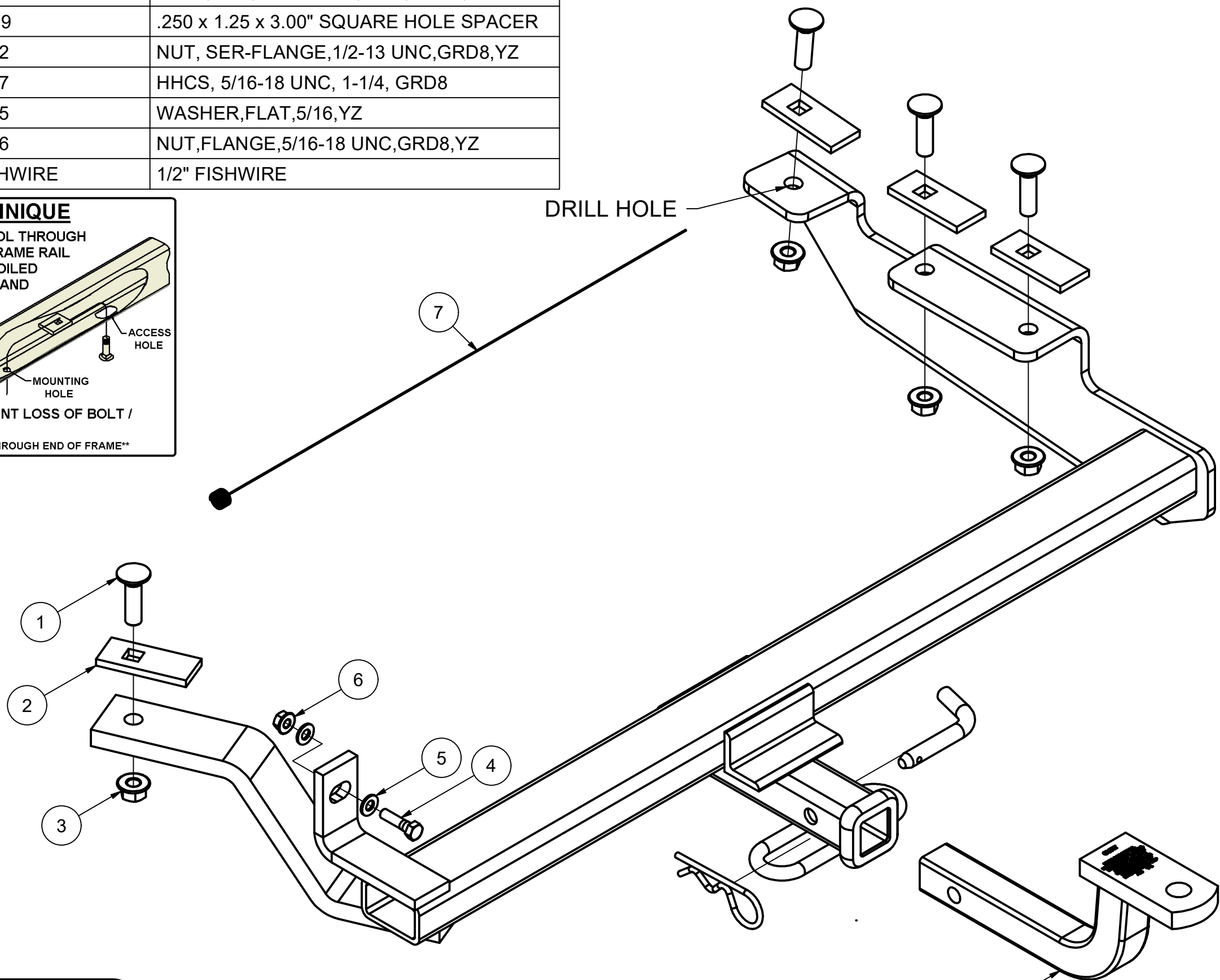
HAVING INSTALLATION QUESTIONS? CALL TECHNICAL SUPPORT AT 1-877-287-8634

| Parts List | | | |
|------------|-----|--------------|--|
| ITEM | QTY | PART NUMBER | DESCRIPTION |
| 1 | 4 | 10-10272 | BOLT,CAR,1/2-13 UNC,1-3/4,GRD8,YZ |
| 2 | 4 | CM-SP19 | .250 x 1.25 x 3.00" SQUARE HOLE SPACER |
| 3 | 4 | 20-00062 | NUT, SER-FLANGE,1/2-13 UNC,GRD8,YZ |
| 4 | 1 | 10-10037 | HHCS, 5/16-18 UNC, 1-1/4, GRD8 |
| 5 | 2 | 30-00195 | WASHER,FLAT,5/16,YZ |
| 6 | 1 | 20-00206 | NUT,FLANGE,5/16-18 UNC,GRD8,YZ |
| 7 | 1 | 1_2 FISHWIRE | 1/2" FISHWIRE |

FISHWIRE TECHNIQUE

INSERT COILED END OF FISHWIRE TOOL THROUGH HITCH MOUNTING HOLE IN VEHICLE FRAME RAIL AND OUT THE ACCESS HOLE. PASS COILED END OF FISHWIRE THROUGH SPACER AND THREAD BOLT INTO COIL. KINK WIRE TO KEEP SPACER SEPERATE FROM BOLT AS SHOWN. PULL FISHWIRE, SPACER, AND BOLT THROUGH FRAME AND OUT MOUNTING HOLE. USE FISHWIRE TO GUIDE HITCH DURING MOUNTING AND PREVENT LOSS OF BOLT / SPACER INSIDE FRAME RAIL.

NOTE: SOME VEHICLES MAY FISHWIRE THROUGH END OF FRAME



DESIGNED FOR USE WITH BALL MOUNT # D-20 / 45520

HITCH WEIGHT: 40 LBS.

INSTALL TIME

PROFESSIONAL: 45 MINUTES

NOVICE (DIY): 90 MINUTES

INSTALL NOTES:

-DRILLING REQUIRED

-FISHWIRE HARDWARE

INSTALLATION STEPS

- 1) Remove lower, inboard M8 bumper bolt on drivers side and return to vehicle owner.
- 2) Fishwire 1/2" carriage bolts and 1/4" thick spacers through square access hole, into existing holes in frame.
- 3) Raise hitch into position and install 1/2" and 5/16" fasteners as shown.
- 4) Using hitch as template, drill hole on passenger side plate closest to the front of vehicle.
- 5) Torque 5/16" fasteners to 24 lb-ft and 1/2" fasteners to 110 lb-ft.

PERIODICALLY CHECK THIS RECEIVER HITCH TO ENSURE THAT ALL FASTENERS ARE TIGHT AND THAT ALL STRUCTURAL COMPONENTS ARE SOUND.

Curt Manufacturing Inc., warrants this product to be free of defects in material and/or workmanship at the time of retail purchase by the original purchaser. If the product is found to be defective, Curt Manufacturing Inc., may repair or replace the product, at their option, when the product is returned, prepaid, with proof of purchase. Alteration to, misuse of, or improper installation of this product voids the warranty. Curt Manufacturing Inc.'s liability is limited to repair or replacement of products found to be defective, and specifically excludes liability for incidental or consequential loss or damage.